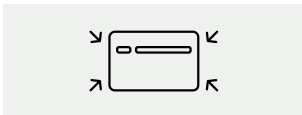


# RAC Solo, the compact air conditioner without outdoor unit

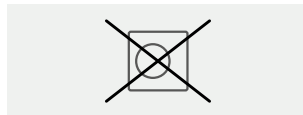
A high-efficiency RAC Solo with a hyper-compact design that minimises aesthetic impact. Just 16,5 cm deep, easy to install and with DC Inverter technology to optimise performance.



## Seamless integration, indoors and outdoors



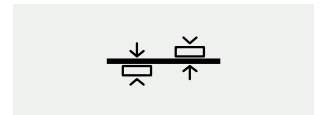
**Slim and compact full metal body.**  
Only 16,5 cm deep (indoor).



**No outdoor unit.**  
Just two 162 mm holes\*.  
\* 202 mm for the biggest capacity.



**Easy to install.**  
Stand-alone unit with no refrigerant connections.



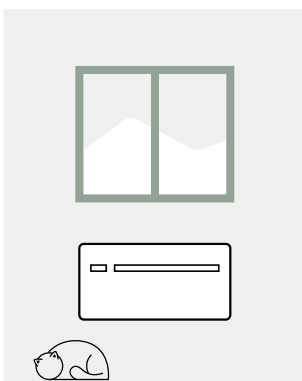
**Self-closing grille.**  
Open only during operation.

## Easy and flexible installation, without outdoor unit

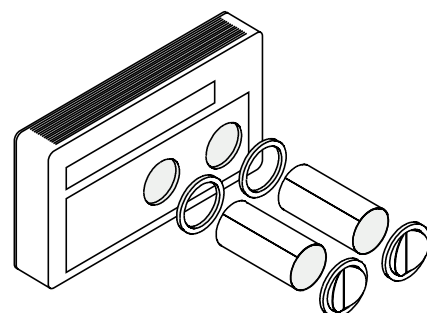
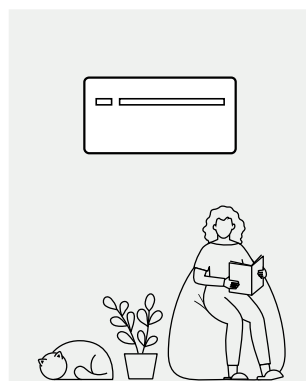
The RAC Solo range offers great installation flexibility as it is a stand-alone unit with no refrigerant connections during installation. The outdoor unit is replaced by two holes in the wall.

All you need is a perimeter wall, to exchange air with the outside. The unit can be placed high on the wall or low on the floor.

Down installation.



Overhead installation.



## RAC Solo · R290 / R32

- Slim and compact, only 165 mm deep
- No outdoor unit
- Heating and cooling or cooling only modes available
- DC Inverter technology
- No frost system, with preheated condenser water tray
- Easy and flexible installation
- Wi-Fi control via the Aqueara Home App



Kit matt white			P-MOG16IC5-E	P-MOZ20IC5-E	P-MOZ25IC5-E	P-MOZ30IC5-E
Cooling capacity	Nominal (Min - Max)	kW	1,73 [0,70-2,35]	2,09 [0,83-2,64]	2,33 [0,92-3,10]	2,87 [1,40-3,50]
<b>EER</b> <sup>1)</sup>	<b>W/W</b>		<b>3,01 A</b>	<b>3,29 A+</b>	<b>3,25 A+</b>	<b>2,74 A</b>
SEER <sup>2)</sup>			4,60	4,70	4,60	4,10
Input power		kW	0,57	0,64	0,73	1,04
Heating capacity	Nominal (Min - Max)	kW	1,71 [0,75-2,40]	2,08 [0,71-2,64]	2,31 [0,79-3,05]	2,75 [1,35-3,50]
Heating capacity at -7 °C		kW	1,13	1,37	1,52	1,81
<b>COP</b> <sup>1)</sup>	<b>W/W</b>		<b>3,15 A</b>	<b>3,31 A+</b>	<b>3,28 A+</b>	<b>3,12 A</b>
SCOP <sup>2)</sup>			3,70	3,80	3,70	3,40
Input power		kW	0,54	0,63	0,71	0,88
Power supply		V	230	230	230	230
Maximum current		A	3,90	4,10	4,60	6,30
Air flow	Max / Average / Min	m <sup>3</sup> /min	6,0/5,0/4,0	6,3/5,2/4,3	6,7/5,3/4,5	7,5/5,8/5,0
External air flow	Max / Average / Min	m <sup>3</sup> /min	7,2/6,0/5,3	7,7/6,3/5,5	8,0/6,5/5,7	9,2/7,7/6,7
Moisture removal volume		L/h	0,7	0,8	0,9	1,2
Sound pressure <sup>3)</sup>	Hi / Lo / Q-Lo	dB(A)	39/29/27	39/30/26	41/31/27	43/33/29
Outside sound pressure <sup>3)</sup>	Hi / Lo	dB(A)	49/36	49/36	51/38	53/40
Refrigerant / charge		kg	R290 / 0,14	R32 / 0,5	R32 / 0,5	R32 / 0,5
Dimension	H x W x D	mm	549 x 810 x 165	549 x 1010 x 165	549 x 1010 x 165	549 x 1010 x 165
Net weight		kg	38	41	41	41
Wall hole diameter		mm	162	162	162	202
Distance between wall holes		mm	293	293	293	293
Operating range	Cool Min ~ Max	°C	-5 ~ +43	-5 ~ +43	-5 ~ +43	-5 ~ +43
	Heat Min ~ Max	°C	-15 ~ +18	-15 ~ +18	-15 ~ +18	-15 ~ +18

1) EER and COP in accordance to 626/2011. Scale A+++ to D. 2) SEER and SCOP in accordance to EN 14511. 3) The sound pressure shows the value measured at 2 m, according to ISO 7779.

### Accessories

<b>PCZ-GB0738</b>	Kit of external aluminium grids with fixed fins (162 mm holes)
<b>PCZ-GB1091</b>	Kit of external aluminium grids with fixed fins (202 mm holes)
<b>PCZ-GB0755</b>	Insect protection kit (1 metal mesh, 1 grid in metal wire and fixing accessories)
<b>PCZ-L00773</b>	Side exit formwork for corner installation (right-hand outlet)

### Accessories

<b>PCZ-L00774</b>	Side exit formwork for corner installation (left-hand outlet)
<b>PCZ-GB0737</b>	Bottom cover kit for overhead installation for P-MOZ20/25/30IC5-E
<b>PCZ-GB1105</b>	Bottom cover kit for overhead installation for P-MOG16IC5-E
<b>PCZ-GB1119</b>	Condensate drain pipe heater kit*

\* Check availability.

The side installation kit, which must be embedded in the wall, allows the air flow to be redirected sideways for greater installation flexibility.



R290: For P-MOG16IC5-E. R32: For P-MOZ20IC5-E, P-MOZ25IC5-E and P-MOZ30IC5-E.

Rating conditions: Cooling indoor 27 °C DB / 19 °C WB, Cooling outdoor 35 °C DB / 24 °C WB, Heating indoor 20 °C DB, Heating outdoor 7 °C DB / 6 °C WB, (DB: Dry Bulb; WB: Wet Bulb). Specifications subject to change without notice. For detailed information about ErP / Energy Labelling, please visit our websites [www.aircon.panasonic.eu](http://www.aircon.panasonic.eu) or [www.ptc.panasonic.eu](http://www.ptc.panasonic.eu).