



## PACi NX 4 way 90x90 cassette PU3 Standard

### 1. Better indoor air quality with nanoe™ X

- nanoe™ X (Generator Mark 1: 4,8 trillion hydroxyl radicals/sec) as standard for better indoor air quality
- Internal cleaning function for the unit with nanoe™ X
- High external fresh air intake volume

### 2. Superior energy efficiency and comfort

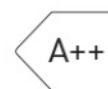
- High seasonal efficiency both in heating and cooling
- Econavi: Intelligent sensors to increase energy savings and comfort
- Super quiet operation down to 27dB(A)

### 3. Easy installation

- Light weight, easy piping and integrated drain pump for quick installation
- Wired remote controller CZ-RTC6WBL and CZ-RTC6BL allows easy system setting via Bluetooth®



PACi



PACi NX Series

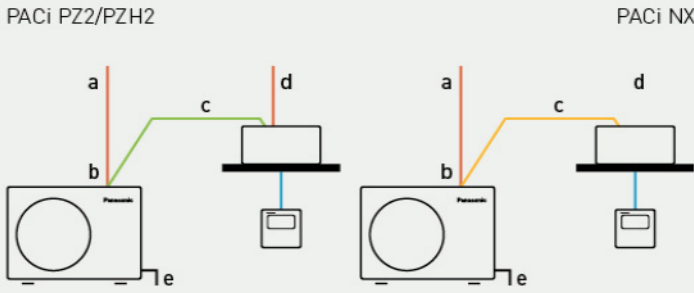


PACi NX Series for absolute ease of refurbishment. The next generation is here

NX Series with R32 refrigerant has been developed to meet the demand of easy refurbishment with 3 wire method. It makes it simple and easy to replace old systems with 3 wire connections, which is prevalent in many systems.

PACi PZ2/PZH2: 2 wire method. - PACi NX Series: 3 wire method.

a. Power supply - b: Outdoor unit power wiring - c: Signal wiring (2 wire shielded) - d: Power supply - e: Earth - f: Power + Signal Wiring (3 wire + earth)



PACi NX Standard – For economy and value

The Standard series are the perfect solutions for projects which demand quality on a limited budget.

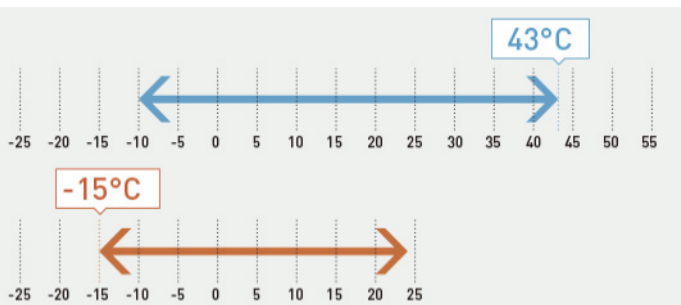
- Absolute ease of refurbishment
- Low-height single fan outdoor unit design
- Top class SEER: A++ / SCOP: A++ in most capacities
- Operation range up to 43°C in cooling and down to -15°C in heating
- Maximum piping length 50m

a: Energy class<sup>1)</sup> and seasonal efficiency value ( $\eta_{s,c} / \eta_{s,h}$ )<sup>2)</sup>.

1) Energy label scale from A+++ to D for models below 12,0kW (EU regulation 626/2011). 2)  $\eta_{s,c} / \eta_{s,h}$  values for models above 12,0kW (EN 14825).

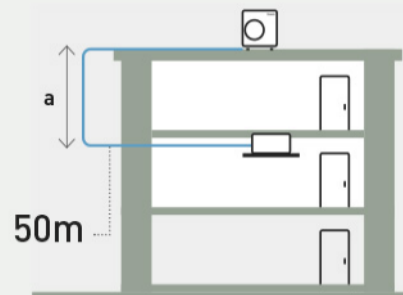


a		
3,6kW	A++	A++
5,0kW	A++	A++
6,0kW	A++	A++
7,1kW	A++	A++
10,0kW	A++	A+
12,5kW	267,0%	157,0%
14,0kW	257,0%	152,2%



PACi NX Standard – Extended operation range up to 43°C in cooling and down to -15°C in heating

PACi NX Standard Series are capable of working even in the challenging ambient conditions. Cooling operation is possible when outdoor temperature is as low as -10°C or as high as 43°C. Heating operation can also be utilized for outdoor temperatures as low as -15°C and as high as 24°C.



PACi NX Standard – Long piping allowance maximum 50m\*



Long piping length gives great design flexibility to adapt various building types and sizes.

Piping length: 50m (10,0 to 14,0kW), 40m (6,0 to 7,1kW), 20m (5,0kW), 15m (>3,6kW).

a: Maximum height difference between outdoor unit and indoor unit: 30m (15m if the outdoor unit is below the indoor unit).

\* For models 10,0 ~ 14,0kW.



PACi NX Series


**Bringing nature's balance indoors**  
**nanoe™ X, technology with the benefits of hydroxyl radicals**  
 Abundant in nature, hydroxyl radicals have the capacity to inhibit pollutants. nanoe™ X, technology can bring these incredible benefits indoors so that hard surfaces, soft furnishings, and the indoor environment can be a cleaner and pleasant place to be.

**7 effects of nanoe™ X – Panasonic unique technology**

- 1. Capacity to inhibit 5 types of pollutants:** Bacteria and viruses - Mould - Allergens - Pollen - Hazardous substances
- 2. Deodorises:** Odours
- 3. Moisturises:** Skin and hair

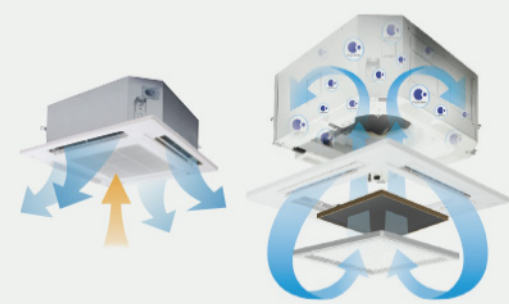



**nanoe™ X: improving protection 24/7**  
 Acts to clean your air, so that the indoor environment can be a cleaner and more pleasant place to be all day long. nanoe™ X works together with heating or cooling function when you are at home and can work independently when you are away. Give the air conditioning the strength to increase the protection at home with nanoe™ X technology and convenient control via the Panasonic Comfort Cloud App.

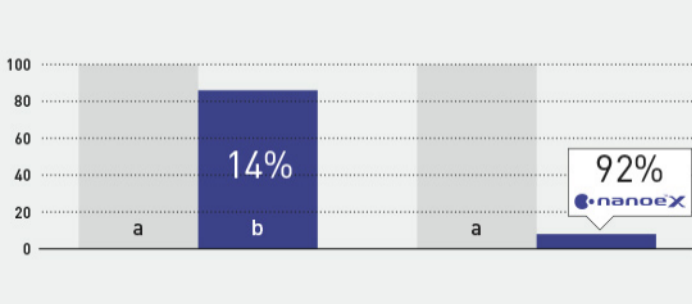


Mark	Time required to inhibit 99% of cedar pollen
Mark 1	24 h
Mark 2	12 h
Mark 3	3 h

**Comparison of time required to inhibit 99% of cedar pollen**  
 The result of nanoe X Generator Mark 3. Inhibits pollen in 1/4 the time of nanoe X Generator Mark 2\*.  
\* Effect after 3 hours in a test space of approx. 24m³. The figures are not the results of testing in an actual operating space.



**Always fresh and clean air with nanoe™ X**  
 The 4 way 90x90 cassette with nanoe™ X, when tested, has shown to inhibit hazardous substances by 92%, when compared to natural reduction\*. In addition to the 7 effects of nanoe™ X, the indoor unit can also be cleaned with a short operation of nanoe™ X dry mode. After cooling/drying operation, the inside of the indoor unit is automatically dried and nanoe™ X is activated to suppress mould growth.  
\* Controllers (CZ-RTC5B or CZ-RTC6/BL/BLW) are required.



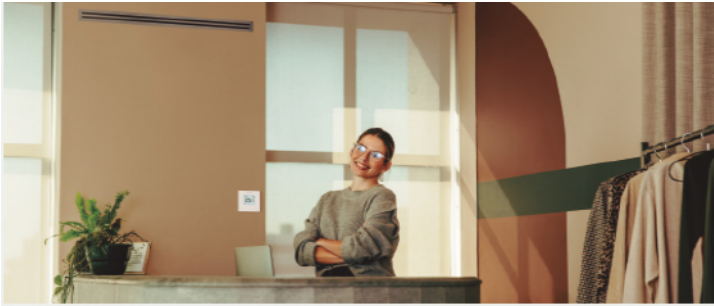
Condition	Hexadecane inhibition ratio (%)
a: Initial	14%
b: Natural reduction (8 hours later)	92%

**nanoe™ X effect against odour proven in large space**  
**Hexadecane inhabitation ratio Hexadecane inhabitation ratio (%)**. 92% of hexadecane\* is inhibited after 8-hours exposure in room side 267m².  
**a: Initial - b: Natural reduction: 8 hours later**  
\* Hexadecane is a hazardous substance contained in gasoline and diesel exhaust gas, and considered to be one cause of oil odour.

PACi NX Series Standard 4 way 90x90 cassette Inverter+ - R32

PACi NX Series Standard 4 way 90x90 cassette Inverter+ - R32		SINGLE PHASE							THREE PHASE		
		3.6 kW	5.0 kW	6.0 kW	7.1 kW	10.0 kW	12.5 kW	14.0 kW	10.0 kW	12.5 kW	14.0 kW
Kit		KIT-36PU3Z5	KIT-50PU3Z5	KIT-60PU3Z5	KIT-71PU3Z5	KIT-100PU3Z5	KIT-125PU3Z5	KIT-140PU3Z5	KIT-100PU3Z8	KIT-125PU3Z8	KIT-140PU3Z8
Remote controller		CZ-RTC5B	CZ-RTC5B	CZ-RTC5B	CZ-RTC5B	CZ-RTC5B	CZ-RTC5B	CZ-RTC5B	CZ-RTC5B	CZ-RTC5B	CZ-RTC5B
Cooling capacity (Nominal)	kW	3,6	5,0	6,0	7,1	10,0	12,5	14,0	10,0	12,5	14,0
Cooling capacity (Min)	kW	1,5	1,5	2,0	2,6	3,0	3,2	3,3	3,0	3,2	3,3
Cooling capacity (Max)	kW	4,0	5,6	7,1	7,7	11,5	13,5	15,0	11,5	13,5	15,0
EER (Nominal) (1)	W/W	4,34	3,91	3,73	3,27	3,82	3,58	3,23	3,82	3,58	3,23
EER (Min) (1)	W/W					5,36	5,33	5,32	5,36	5,33	5,32
EER (Max) (1)	W/W					2,88	2,81	2,73	2,88	2,81	2,73
SEER/ηsc (2)	%	8,1 A++	8,0 A++	7,8 A++	6,8 A++	6,8 A++	267,1 %	257,3 %	6,7 A++	266,1 %	256,5 %
Pdesign (cooling)	kW	3,6	5,0	6,0	7,1	10,0	12,5	14,0	10,0	12,5	14,0
Input power cooling (Nominal)	kW	0,83	1,28	1,61	2,17	2,62	3,49	4,34	2,62	3,49	4,34
Input power cooling (Min)	kW					0,56	0,60	0,62	0,56	0,60	0,62
Input power cooling (Max)	kW					4,00	4,80	5,50	4,00	4,80	5,50
Annual energy consumption cooling (3)	kWh/a	156	219	269	365	515	—	—	521	—	—
Heating capacity (Nominal)	kW	3,6	5,0	6,0	7,1	10,0	12,5	14,0	10,0	12,5	14,0
Heating capacity (Min)	kW	1,5	1,5	1,8	2,1	3,0	3,3	3,4	3,0	3,3	3,4
Heating capacity (Max)	kW	4,6	6,4	7,0	8,1	14,0	15,0	16,0	14,0	15,0	16,0
COP (Nominal) (1)	W/W	5,07	4,63	4,48	4,23	4,93	4,43	4,18	4,93	4,43	4,18
COP (Min) (1)	W/W					5,36	5,50	5,48	5,36	5,50	5,48
COP (Max) (1)	W/W					3,59	3,57	3,33	3,59	3,57	3,33
SCOP/ηsc (2)	%	4,8 A++	4,7 A++	4,9 A++	4,6 A++	4,4 A+	157,3 %	152,4 %	4,4 A+	157,3 %	152,4 %
Pdesign at -10°C	kW	2,8	4,0	4,6	5,2	10,0	12,5	14,0 (at -7 °C)	10,0	12,5	14,0 (at -7 °C)
Input power heating (Nominal)	kW	0,71	1,08	1,34	1,68	2,03	2,82	3,35	2,03	2,82	3,35
Input power heating (Min)	kW					0,56	0,60	0,62	0,56	0,60	0,62
Input power heating (Max)	kW					3,90	4,20	4,80	3,90	4,20	4,80
Annual energy consumption heating (3)	kWh/a	817	1.191	1.314	1.583	3.182	—	—	3.182	—	—
Indoor unit		S-3650PU3E	S-3650PU3E	S-6071PU3E	S-6071PU3E	S-1014PU3E	S-1014PU3E	S-1014PU3E	S-1014PU3E	S-1014PU3E	S-1014PU3E
Indoor air flow (Hi)	m³/min	14,5	16,5	21,0	22,0	36,0	37,0	38,0	36,0	37,0	38,0
Indoor air flow (Med)	m³/min	13,0	13,5	16,0	16,0	26,0	27,0	29,0	26,0	27,0	29,0
Indoor air flow (Lo)	m³/min	11,5	11,5	13,0	13,0	18,0	19,0	20,0	18,0	19,0	20,0
Moisture removal volume	L/h	0,7	1,6	1,7	2,5	2,7	4,8	6,0	2,7	4,8	6,0
Indoor sound pressure (Med) (4)	dB(A)	28	29	31	31	38	39	40	38	39	40
Indoor sound pressure (Lo) (4)	dB(A)	27	27	28	28	32	33	34	32	33	34
Indoor sound power (Hi)	dB(A)	45	47	51	52	60	61	62	60	61	62
Indoor sound power (Med)	dB(A)	43	44	46	46	53	54	55	53	54	55
Indoor sound power (Lo)	dB(A)	42	42	43	43	47	48	49	47	48	49
Indoor dimension (Height)	mm	256	256	256	256	319	319	319	319	319	319
Indoor dimension (Width)	mm	840	840	840	840	840	840	840	840	840	840
Indoor dimension (Depth)	mm	840	840	840	840	840	840	840	840	840	840
Panel dimension (Height)	mm	33,5	33,5	33,5	33,5	33,5	33,5	33,5	33,5	33,5	33,5
Panel dimension (Depth)	mm	950	950	950	950	950	950	950	950	950	950
Indoor net weight	kg	19	19	20	20	25	25	25	25	25	25
Panel net weight	kg	5	5	5	5	5	5	5	5	5	5
nanoe X Generator		Mark 1	Mark 1	Mark 1	Mark 1	Mark 1	Mark 1	Mark 1	Mark 1	Mark 1	Mark 1
Outdoor unit		U-36PZ3E5	U-50PZ3E5	U-60PZ3E5A	U-71PZ3E5A	U-100PZ3E5	U-125PZ3E5	U-140PZ3E5	U-100PZ3E8	U-125PZ3E8	U-140PZ3E8
Outdoor power source	V	220 - 230 - 240	220 - 230 - 240	220 - 230 - 240	220 - 230 - 240	220 - 230 - 240	220 - 230 - 240	220 - 230 - 240	380 - 400 - 415	380 - 400 - 415	380 - 400 - 415
Current in cooling (1p 220V / 3p 380)	A	3,85	5,95	7,45	10,00	13,10	16,90	21,00	4,35	5,65	7,00
Current in cooling (1p 230V / 3p 400)	A	3,70	5,70	7,15	9,65	12,50	16,10	20,00	4,15	5,35	6,65
Current in cooling (1p 240V / 3p 415)	A	3,55	5,45	6,85	9,25	12,00	15,40	19,20	4,00	5,15	6,40
Current in heating (1p 220V / 3p 380)	A	3,35	5,05	6,20	7,80	10,10	13,60	16,20	3,40	4,55	5,40
Current in heating (1p 230V / 3p 400)	A	3,20	4,85	5,95	7,45	9,70	13,00	15,50	3,20	4,35	5,15
Current in heating (1p 240V / 3p 415)	A	3,05	4,65	5,70	7,15	9,30	12,50	14,80	3,10	4,15	4,95
Outdoor air flow (Cool)	m³/min	33,6	32,7	42,6	44,7	73,0	82,0	84,0	73,0	82,0	84,0
Outdoor air flow (Heat)	m³/min	34,0	31,9	41,5	45,9	73,0	80,0	82,0	73,0	80,0	82,0
Outdoor sound pressure (Cool -Hi)	dB(A)	46	46	47	48	52	55	56	52	55	56
Outdoor sound pressure (Heat -Hi)	dB(A)	47	46	48	49	52	55	56	52	55	56
Outdoor sound power (Cool -Hi)	dB(A)	64	64	64	66	70	73	74	70	73	74
Outdoor sound power (Heat -Hi)	dB(A)	66	64	65	68	70	73	74	70	73	74
Outdoor dimension (Height)	mm	619	619	695	695	996	996	996	996	996	996
Outdoor dimension (Width)	mm	824	824	875	875	980	980	980	980	980	980
Outdoor dimension (Depth)	mm	299	299	320	320	370	370	370	370	370	370
Outdoor net weight	kg	32	35	42	50	83	87	87	83	87	87
Pipe diameter (Liquid)	Inch (mm)	1/4 (6,35)	1/4 (6,35)	1/4 (6,35) (5)	1/4 (6,35) (5)	3/8 (9,52)	3/8 (9,52)	3/8 (9,52)	3/8 (9,52)	3/8 (9,52)	3/8 (9,52)
Pipe diameter (Gas)	Inch (mm)	1/2 (12,70)	1/2 (12,70)	1/2 (12,70) (6)	5/8 (15,88)	5/8 (15,88)	5/8 (15,88)	5/8 (15,88)	5/8 (15,88)	5/8 (15,88)	5/8 (15,88)
Pipe length range	m	3 ~ 15	3 ~ 20	3 ~ 40	3 ~ 40	5 ~ 50	5 ~ 50	5 ~ 50	5 ~ 50	5 ~ 50	5 ~ 50
Elevation difference (in/out) (7)	m	15 / 15 (8)	15 / 15 (8)	15 / 30 (8)	20 / 30 (8)	15 / 30 (8)	15 / 30 (8)	15 / 30 (8)	15 / 30 (8)	15 / 30 (8)	15 / 30 (8)
Pipe length for additional gas	m	7,5	7,5	30	30	30	30	30	30	30	30
Additional gas amount	g/m	10	15	15	17	45	45	45	45	45	45
Refrigerant (R32) / CO2 Eq.	kg / T	0,87 / 0,59	1,14 / 0,77	1,15 / 0,78	1,32 / 0,89	2,40 / 1,62	2,80 / 1,89	2,80 / 1,89	2,40 / 1,62	2,80 / 1,89	2,80 / 1,89
Operating range (Cool - Min)	°C	-10	-10	-10	-10	-10	-10	-10	-10	-10	-10
Operating range (Cool - Max)	°C	+43	+43	+43	+43	+43	+43	+43	+43	+43	+43
Operating range (Heat - Min)	°C	-15	-15	-15	-15	-15	-15	-15	-15	-15	-15
Operating range (Heat - Max)	°C	+24	+24	+24	+24	+24	+24	+24	+24	+24	+24

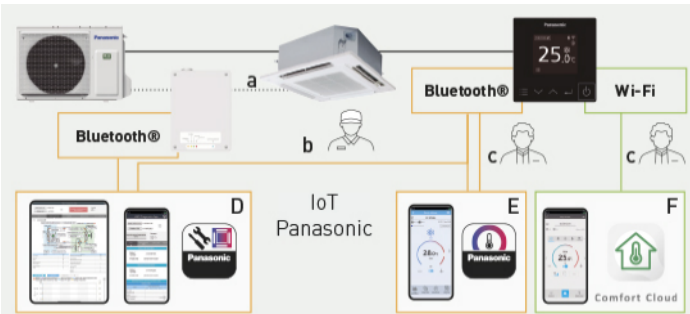
Smart & intuitive controls for PACi NX Series



**CONEX provides comfort and control for varying user needs**

CONEX with IoT integration. Not only detailed operation and maintenance settings are possible with the smartphone or tablet, but also service and diagnostic functions.

1. **Intuitive control** with stylish design
2. **Control comfort** with your smartphone
3. **Easy maintenance** with service support app



**CONEX with IoT integration**

The wired remote controller series is fully integrated with IoT solutions developed by Panasonic. Detailed operation, maintenance setting and service operation are all possible with smartphone or tablet.

**a: Service checker interface - b: Panasonic service and installer - c: End user - D: Panasonic H&C Diagnosis App - E: Panasonic H&C Control App F: Panasonic Comfort Cloud App**

**Commercial Wi-Fi Adaptor for Panasonic Comfort Cloud App**

- For end user · Connection via Wi-Fi
- Commercial Wi-Fi Adaptor (CZ-CAPWFC1) required

**Features:** · Remote control and monitoring 24/7/365 · Scheduling · Error alerts · From 1 to 200 units · Voice control compatible · Multi user · Easy scheduling · Energy monitor · Error codes

\* CZ-RTC6WBLW or CZ-RTC6BLW required.



**Panasonic H&C Diagnosis App**

- Tool for diagnosis and troubleshooting
- For service and installer · Connection via Bluetooth®

**Features:** · AC control (system view, refrigerant circuit view) · Real-time data (indoor/outdoor unit) · Refrigerant cycle diagram and graph · Data recording · History data · Error code tables

\* A service checker interface is required when this app is used from outdoor location. Wired remote controller (CZ-RTC6WBL, CZ-RTC6BL, CZ-RTC6WBLW or CZ-RTC6BLW) is required when this app is used from indoor location. Compatible with PZ3 and PZH3 outdoor units.



**Panasonic H&C Control App**

- For end user, service and installer · Connection via Bluetooth®

**Detailed operation setting features:** · Basic settings · Weekly timer · All energy saving functions · Key lock · Ventilation fan control etc

**Detailed maintenance setting features:** · Alarm display and history · Filter sign · Test run · Sensor value monitor etc

\* CZ-RTC6WBL, CZ-RTC6BL, CZ-RTC6WBLW or CZ-RTC6BLW required.

Accessories



Smart multi-site control solution

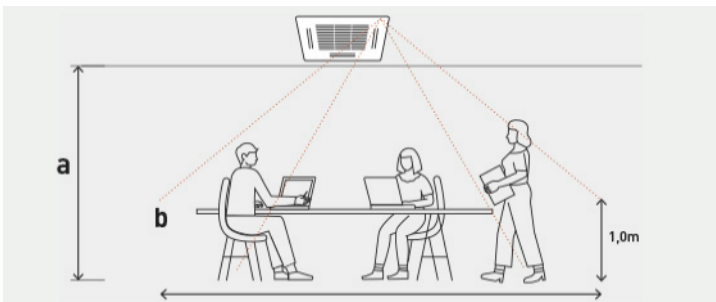
Panasonic AC Smart and Service Cloud is the modern and scalable energy management system for your heating and cooling solutions. One screen with endless possibilities.

AC Smart Cloud for owner and facility manager.

- Multi-site monitoring · Schedule setting · Powerful statistics for energy savings · Maintenance notification

AC Service Cloud for service and installer.

- All sites at a glance with alarm status · Self diagnosis function · Maintenance planning · Service checker parameters available for the analysis



Optional Econavi intelligent sensor

Human activity sensor and floor temperature sensor can reduce waste energy, by optimising air conditioner operation.

a: Area detected by movement sensor (Max. 5,0m) - b: Area detected by floor temperature sensor.

Advanced Econavi functions.

2 sensors (movement and floor temperature) can provide a reduction in wasted energy by means of effective control. The floor temperature can be detected with a ceiling height of 5m.

c: Movement sensor. This sensor detects the amount of human activity, and operates effectively. - d: Floor temperature sensor. This sensor detects average floor temperature and operates circulation if floor temperature is low.

Econavi exclusive panel. Optional (CZ-KPU3AW). Wired remote controller CZ-RTC5B, CZ-RTC6W/BL/BLW or CZ-RTC6/BL/BLW is required.



Accessories

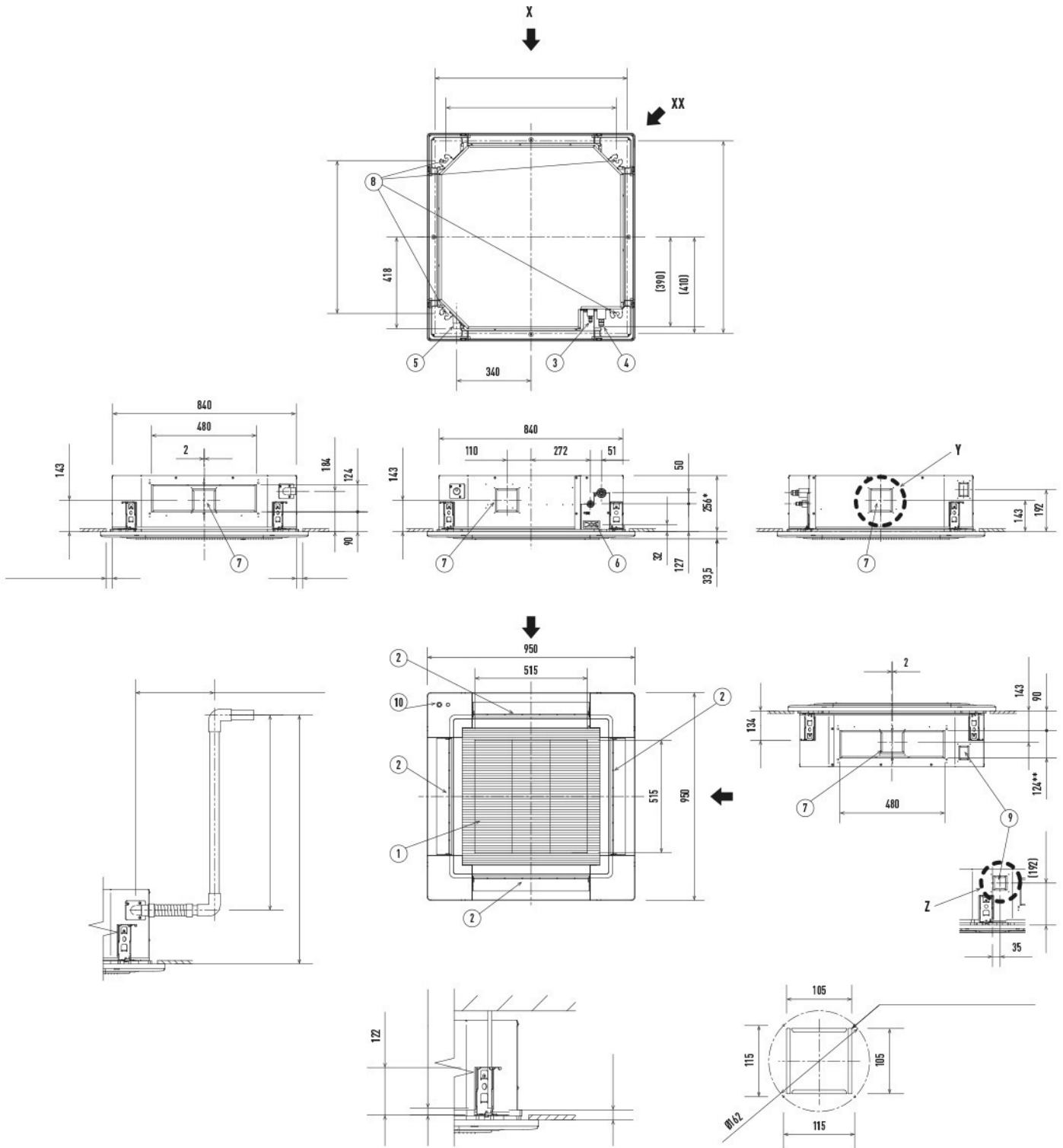
1	2	3
4	5	

Accessories	
1. CZ-RTC6W	CONEX wired remote controller (non-wireless), white
1. CZ-RTC6WBL	CONEX wired remote controller with Bluetooth®, white
1. CZ-RTC6WBLW	CONEX wired remote controller with Wi-Fi and Bluetooth®, white
2. CZ-RTC6	CONEX wired remote controller (non-wireless), black
2. CZ-RTC6BL	CONEX wired remote controller with Bluetooth®, black
2. CZ-RTC6BLW	CONEX wired remote controller with Wi-Fi and Bluetooth®, black
3. CZ-RTC5B	Wired remote controller with Econavi function and datanavi
4. CZ-CAPWFC1	Commercial Wi-Fi Adaptor
5. PAW-PACR4	Interface to run up to 4 indoor unit groups on backup and alternative run

6	7	8
9	10	11

Accessories	
6. CZ-RWS3 + CZ-RWRU3W	Infrared remote controller and receiver
7. CZ-KPU3AW	Econavi exclusive panel
8. CZ-KPU3W	Standard panel
9. PAW-WTRAY	Tray for condenser water compatible with outdoor elevation platform
10. PAW-GRDBSE20	Outdoor base ground support for noise and vibration absorption
11. PAW-GRDSTD40	Outdoor elevation platform 400x 900x 400 mm
CZ-FDU3 + CZ-ATU2	Fresh air-intake kit

Dimensions

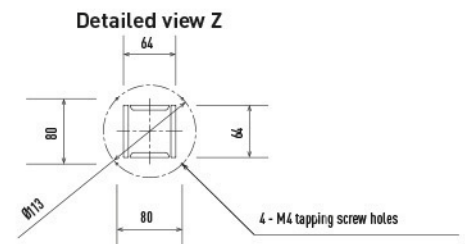


Type	S-3650PU3E	S-6071PU3E	S-1014PU3E
1 Air intake			
2 Air outlet			
3 Refrigerant piping (liquid)	Ø6,35 (flared)	Ø9,52 (flared) <sup>1)</sup>	Ø9,52 (flared)
4 Refrigerant piping (gas)	Ø12,70 (flared)	60: Ø15,88 (flared) <sup>2)</sup> 71: Ø15,88 (flared)	Ø15,88 (flared)
5 Drain pipe connection port VP25		Outer diameter Ø32	
6 Power supply port			
7 Suspension bolt hole		4-12x30 elongated hole	
8 Fresh air intake duct connection port		Ø100 <sup>3)</sup>	
9 Suspension bolt hole		4-12x30 elongated hole	
10 Econavi sensor (only CZ-KPU3A or CZ-KPU3AW)			

1) When connecting with U-60PZ3E5, U-71PZ3E5 or U-60PZH3E5, connect the liquid socket pipe (Ø9,52 - Ø6,35) to the liquid pipe side indoor unit.  
 2) When connecting with U-60PZ3E5 or U-60PZH3E5, connect the gas socket pipe (Ø15,88 - Ø12,7) to the gas pipe side indoor unit.  
 3) Necessary to attach duct connecting flange (field supply).

Filter dimension: 520 x 520 x 15 mm.

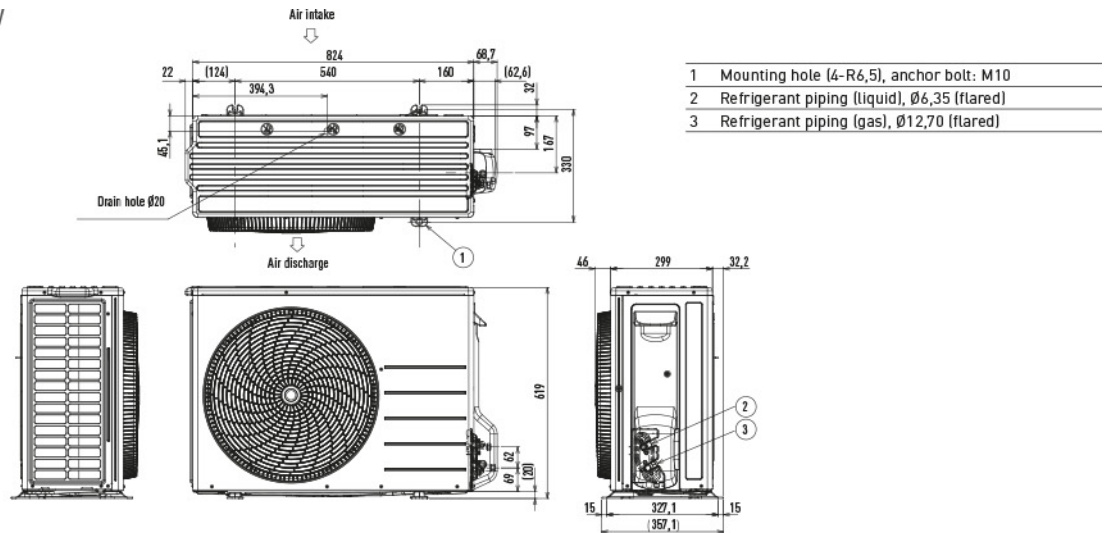
\* 319 mm for S-1014PU3E.  
 \*\* 187 mm for S-1014PU3E.



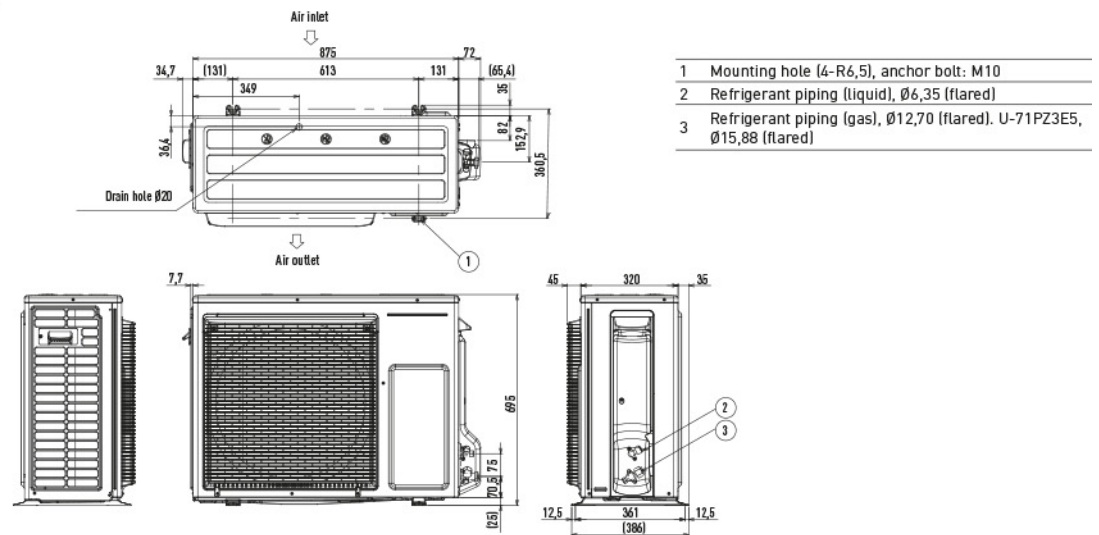


Dimensions

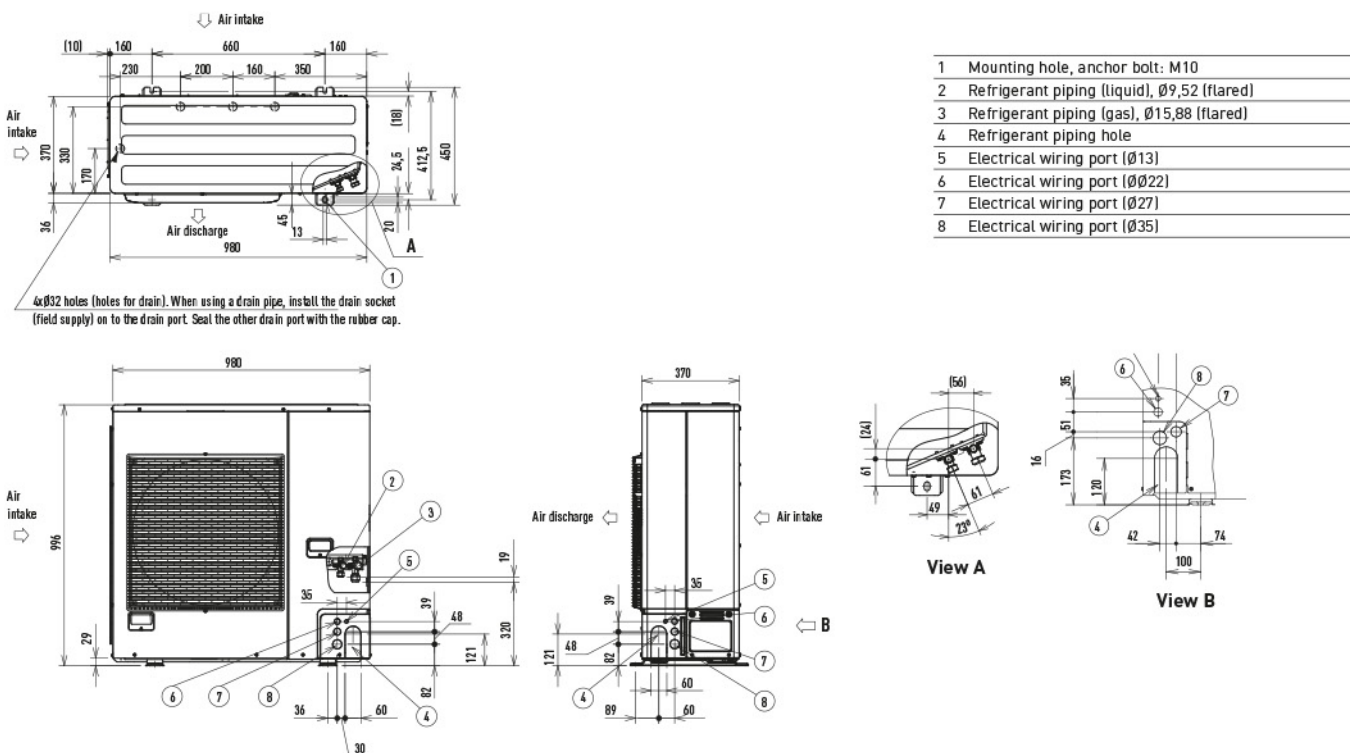
PACi NX. Standard 2,5 - 5,0 kW



PACi NX. Standard 6,0 - 7,1 kW



PACi NX. Standard 10,0 - 14,0 kW

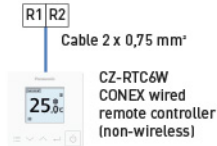


Unit: mm

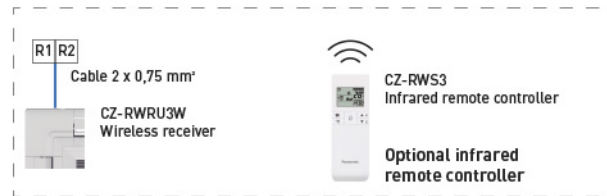
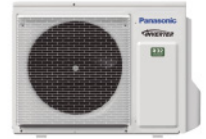
Wiring diagrams

PACi NX Standard 4 way 90x90 cassette kits 1x1

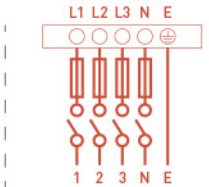
Indoor unit



Outdoor unit



Single phase  
Power supply  
230 V / 50 Hz / \*



Three phase  
Power supply  
3 x 400 V / 1 N - 50 Hz / \*\*

Single phase

Indoor unit	Connection indoor / outdoor	Outdoor unit	Power supply	Circuit breaker*
S-3650PU3E	4 x 1,5 mm <sup>2</sup>	U-36PZ3E5		16 A
S-3650PU3E	4 x 1,5 mm <sup>2</sup>	U-50PZ3E5		16 A
S-6071PU3E	4 x 1,5 mm <sup>2</sup>	U-60PZ3E5A		20 A
S-6071PU3E	4 x 1,5 mm <sup>2</sup>	U-71PZ3E5A	220/230/240 V	20 A
S-6010PU3E	4 x 2,5 mm <sup>2</sup>	U-100PZ3E5		35 A
S-1014PU3E	4 x 2,5 mm <sup>2</sup>	U-125PZ3E5		40 A
S-1014PU3E	4 x 2,5 mm <sup>2</sup>	U-140PZ3E5		40 A

Three phase

Indoor unit	Connection indoor / outdoor	Outdoor unit	Power supply	Circuit breaker**
S-1014PU3E	4 x 2,5 mm <sup>2</sup>	U-100PZ3E8		20 A
S-1014PU3E	4 x 2,5 mm <sup>2</sup>	U-125PZ3E8	380/400/415 V	20 A
S-1014PU3E	4 x 2,5 mm <sup>2</sup>	U-140PZ3E8		20 A