



Unit 1C, Enterprise Close  
Millennium Business Park, Mansfield NG19 7JY  
www.oceanairuk.com  
T: 01623 412582

## Fujitsu Wall Mounted Group Control

*New Group Control Feature Added to Fujitsu Wall, Floor & Multi Ranges*

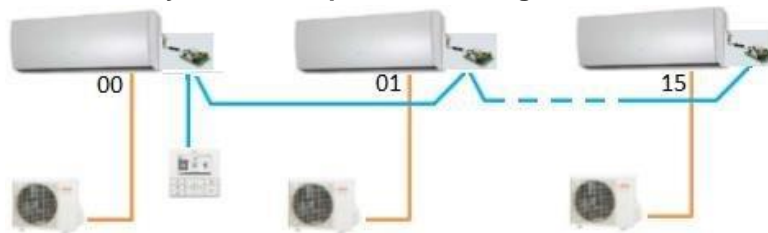
Fujitsu have the added group control capability to their wall mounted, floor mounted and multi split systems. This long awaited feature, which is not possible with most manufacturers, outlines Fujitsu's commitment to continually improve their products.

The new functionality applies to all the models as follows:

Wall Mounted	Floor Mounted	Multi
ASYG 07-14 LMCA*	AGYG 09-14 LVCA	AOYG14LAC2
ASYG 07-14 LMCE*		AOYG18LAC2
ASYG18LFCA		AOYG18LAT3
ASYG24LFCC		AOYG24LAT3
ASYG30LFCA		AOYG30LAT4
ASYG07-14LUCA*		AOYG36LBLA5
ASYG09-12LTCA*		AOYG45LBLA6

### Examples

#### 3 Single Split Wall Mounted Systems Grouped on to a single remote – Max 16 (00-15):



\*communication kit required for each indoor.

#### Multi Split Group – Max 2-4 Indoor units.

Max number depends on number of Indoor units connected to the outdoor)



**Panasonic FUJITSU**



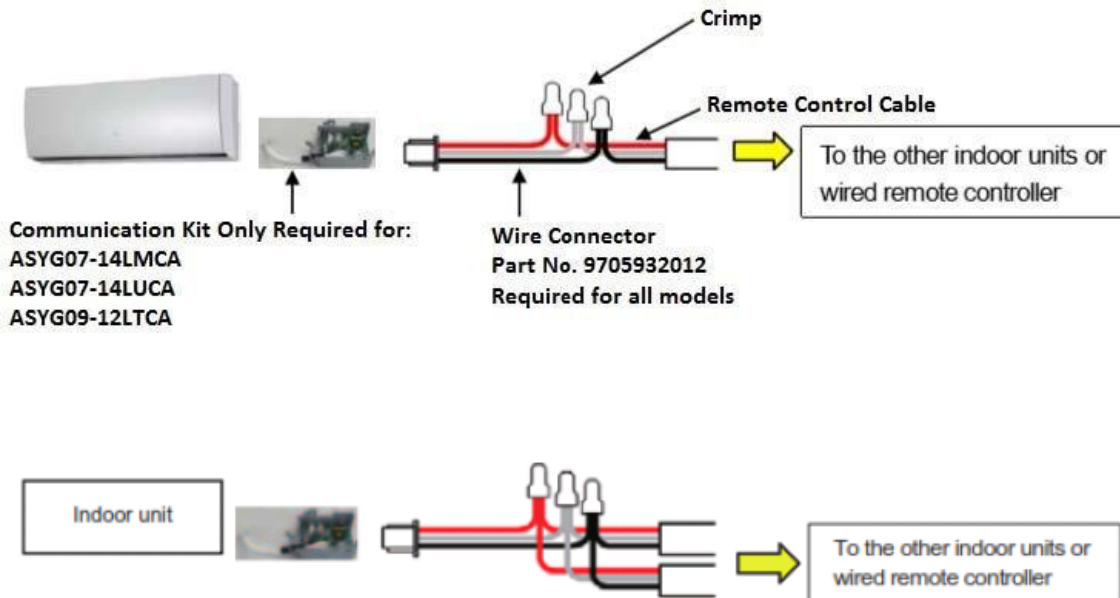
Unit 1C, Enterprise Close  
Millennium Business Park, Mansfield NG19 7JY  
www.oceanairuk.com  
T: 01623 412582

## Wiring

Maximum wiring length of the remote controller cable: 300m. When the total wiring length is greater than 100m, the cable diameter should be increased as follows:

Remote Controller Cable Length	CSA
100m or less	0.3-0.8mm <sup>2</sup>
100-200m	0.5-0.8mm <sup>2</sup>
200-300m	0.8mm <sup>2</sup>

## Wiring Example



## Addressing Details

The RC Group Address is set via the wireless remote controller:

Setting Description	Function Number	Setting Value
Remote Controller Address	00	00-15 (default value 00)

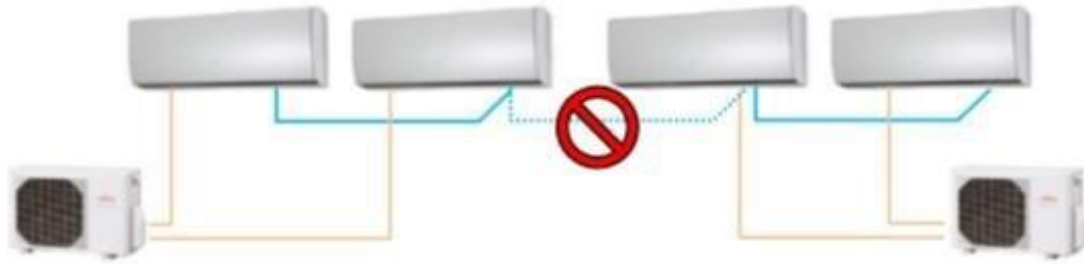
Each Indoor unit requires an address value between 00 – 15 as detailed in example 1.0



Unit 1C, Enterprise Close  
Millennium Business Park, Mansfield NG19 7JY  
www.oceanairuk.com  
T: 01623 412582

### Incompatibility

Please note it is not possible to Group Control across Multi systems as follows



Full details can be found in the updated installation manual.

For further technical support, please call Oceanair:

**Mansfield**  
01623 880160

**Crawley**  
01293 649 388

**Panasonic FUJITSU**