

### Split Air Conditioner

Model : ARYG24LMLA / ARYG30LMLE / ARYG36LMLE / ARYG45LMLA /  
ARYG36LMLA [3phase] / ARYG45LMLA [3phase]

Single phase  
(30/36/45) (24)



24 Model



Wired R.C.



For ARYG24LMLA



For ARYG30/36LMLE



For ARYG36/45LMLA

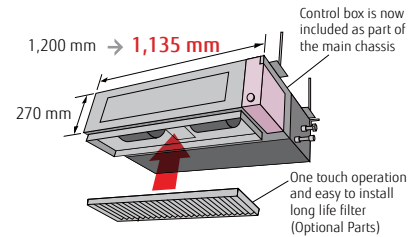


## Medium Static Pressure Duct Range

### Feature

#### Slim & compact design

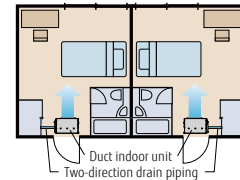
In the case of bottom return air connection, not only does the indoor unit design allow for installation in a narrow ceiling space of up to 270 mm, Further space savings have been achieved by mounting the control box internally inside the chassis.



### Feature

#### Two-direction drain piping

2-type installation methods of ceiling concealed and floor concealed can be selected.

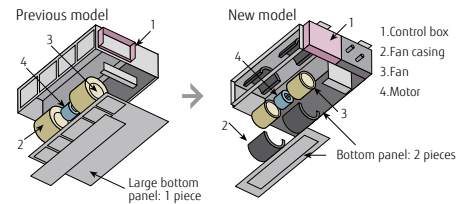


### Feature

#### Easy Maintenance

Structural improvement is attained by making the bottom panel two pieces, front and rear. The internal fan casing is also manufactured in two pieces, namely upper and lower. The maintenance of the motor and fan can be easily carried out by removing the rear panel and the lower part of the casing while leaving the main chassis installed.

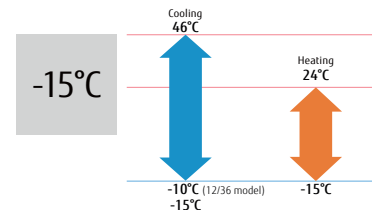
See below for the case of rear suction type



### Feature

#### Low ambient operation

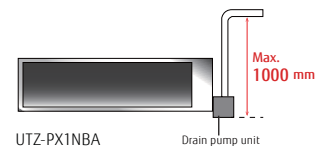
Simple flat Auto Louver will provide comfort airflow and harmonize with luxury interior.



## Optional parts

Wired Remote Controller: UTYRVNYM  
Simple Remote Controller: UTYRSNYM  
Flange (Round): UTRDF204  
Flange (Square): UTDSF045T  
Long Life Filter: UTDLF25NA  
Remote Sensor Unit: UTYSXZX  
Drain Pump Unit: UTZPX1NBA  
IR Reciever Kit: UTYLRYHM  
External Connect Kit: UTDECS5A

Modbus Interface: FJRCMBS1  
KNX Interface: FJRCKNX1i  
WiFi Interface: FJRCWIFI1



## Feature explanation



### Economy mode

Thermostat setting automatically changes according to the temperature to avoid unnecessary cooling and heating.



### Auto-changeover

The unit automatically switches between heating and cooling modes based on your temperature setting and the room temperature.



### Automatic fan speed

The micro-computer automatically adjusts the airflow effectively to follow the changes of room temperature.



### Auto restart

In the event of a temporary power failure, the air conditioner will automatically restart in the same operating mode as before, once power supply is restored.



### Connectable fresh air duct

Outside air can be introduced by attaching Locally purchased duct to fresh air knockout and optional part.



### Connectable distributing duct

Systems are capable of attaching Locally purchased branch ducts distributing the airflow.



### Weekly + setback timer

Weekly + Setback timer can set temperature for two times spans and for each day of the week.

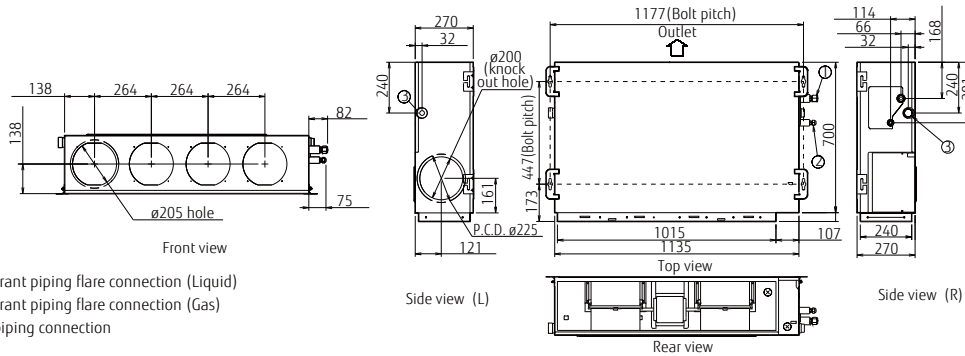


### Filter sign

Indicates the filter cleaning period by lamp.

## Dimensions

(Unit : mm)



- ① Refrigerant piping flare connection (Liquid)
- ② Refrigerant piping flare connection (Gas)
- ③ Drain piping connection

## Specifications

(TENTATIVE)

		Single-Phase Units				3-Phase Units	
		ARYG24MLA	ARYG30MLE	ARYG36MLE	ARYG45MLA	ARYG36MLA	ARYG45MLA
	Indoor	ARYG24MLA	ARYG30MLE	ARYG36MLE	ARYG45MLA	ARYG36MLA	ARYG45MLA
	Outdoor	AOYG24LALA	AOYG30LETL	AOYG36LETL	AOYG45LETL	AOYG36LATT	AOYG45LATT
Nominal Capacity (kW)	Cooling	6.80 (0.90-8.00)	8.50 (2.80-10.00)	9.40 (2.80-11.20)	12.10 (4.00-13.30)	10.00 (4.70-11.40)	12.50 (5.00-14.00)
	Heating	8.00 (0.90-9.10)	10.00 (2.70-11.20)	11.20 (2.70-12.70)	13.30 (4.20-15.50)	11.20 (5.00-14.00)	14.00 (5.40-16.20)
UK Total / Sensible Cooling *		5.98 / 4.52	8.41 / 6.66	9.03 / 6.72	11.31 / 8.53	9.07 / 6.39	11.38 / 7.69
Power Consumption (kW)	Cooling	2.21	2.65	2.96	3.77	2.84	3.89
	Heating	2.26	2.68	3.10	3.68	2.87	3.88
EER / COP (Nominal Conditions)		3.08 / 3.54	3.21 / 3.73	3.18 / 3.61	3.21 / 3.61	3.52 / 3.90	3.21 / 3.61
Pdesign (kW) @ -10°C	Cooling	6.80	8.50	9.40	-	10.00	-
	Heating	6.00	8.00	8.70	-	10.00	-
SEER	Cooling	6.20	5.90	5.70	-	5.80	-
SCOP	Heating (Average)	4.00	3.90	3.80	-	4.00	-
Energy Efficiency Class	Cooling	A++	A+	A	-	A+	-
	Heating (Average)	A+	A	A	-	A+	-
Annual Energy Consumption (kWh/a)	Cooling	384	504	576	-	603	-
	Heating	2098	2868	3202	-	3497	-
Moisture Removal	l/h	2.50	2.50	3.00	4.00	3.00	4.50
Dimensions (HxWxD) mm	Inner	270x1135x700	270x1135x700	270x1135x700	270x1135x700	270x1135x700	270x1135x700
	Outer	578x790x315	830x900x330	830x900x330	1290x900x330	1290x900x330	1290x900x330
Net Weight (kg)	Inner	38	40	40	40	40	40
	Outer	44	61	61	86	104	104
Room Air Circulation (high) m <sup>3</sup> /h	Inner	1100	1900	1900	2100	1800	2100
	Outer	2470	3600	3800	6200	6200	6750
Static Pressure Range (Standard)	Pa	30 to 150 (35)	30 to 150 (47)	30 to 150 (47)	30 to 150 (60)	30 to 150 (47)	30 to 150 (60)
Power Supply	V-PH-Hz	230 / 1 / 50	230 / 1 / 50	230 / 1 / 50	230 / 1 / 50	400 / 3 / 50	400 / 3 / 50
Power Supply To		Outdoor	Outdoor	Outdoor	Outdoor	Outdoor	Outdoor
Running Current (A)	Cooling	9.70	11.60	13.00	16.50	4.30	5.80
	Heating	9.90	11.70	13.60	16.10	4.40	5.80
Starting Current	A	9.90	12.20	13.70	22.50	10.00	10.00
Suggested MCB/Fuse	A	16	20	25	25	16	16
Interconnecting Cable		3 + E	3 + E	3 + E	3 + E	3 + E	3 + E
Remote Control Type		Wired	Wired	Wired	Wired	Wired	Wired
Sound Pressure (dB(A) Cooling)	Indoor Q/L/M/H	25 / 27 / 29 / 31	26 / 30 / 35 / 39	26 / 30 / 35 / 39	28 / 32 / 38 / 42	26 / 31 / 36 / 38	28 / 32 / 38 / 42
	Outdoor H	52	53	54	55	51	54
	Indoor H	60	65	65	-	65	-
	Outdoor H	67	68	69	-	67	-
Max Pipe Length	m	30	50	50	50	75	75
Max Height Difference	m	20	30	30	30	30	30
Refrigerant Charge	m	15	20	20	20	30	30
Additional Refrigerant Charge	g/m	20	40	40	40	50	50
Pipe Size (inches)	Gas	5/8	5/8	5/8	5/8	5/8	5/8
	Liquid	1/4	3/8	3/8	3/8	3/8	3/8
Operating Range (OC)	Cooling	-10 ~ 46	-15 ~ 46	-15 ~ 46	-15 ~ 46	-15 ~ 46	-15 ~ 46
	Heating	-15 ~ 24	-15 ~ 24	-15 ~ 24	-15 ~ 24	-15 ~ 24	-15 ~ 24
Refrigerant		R410A	R410A	R410A	R410A	R410A	R410A

### Note

•Cooling/heating capacities are based on the following conditions.

Cooling	Indoor temperature 23°CDB / 16°CWB Outdoor temperature 30°C
---------	--

- Performance test is in accordance with EN14511
- Seasonal efficiency test is in accordance with EN14825
- Sound power test is in accordance with EN12102



- Specifications and design are subject to change without notice for further improvement.
- Actual products' colours may be different from the colours shown in this printed material.

Distributed by :

**FUJITSU GENERAL AIR CONDITIONING (UK) LTD**  
Unit 150 Centennial Park, Centennial Avenue, Elstree, Herts. WD6 3SG  
www.fujitsu-general.com/uk

Tel: +44 (0)208 731 3450 Fax: +44 (0)208 731 3451

Copyright© 2016 Fujitsu General Limited. All rights reserved. 3EFNP10-1510E