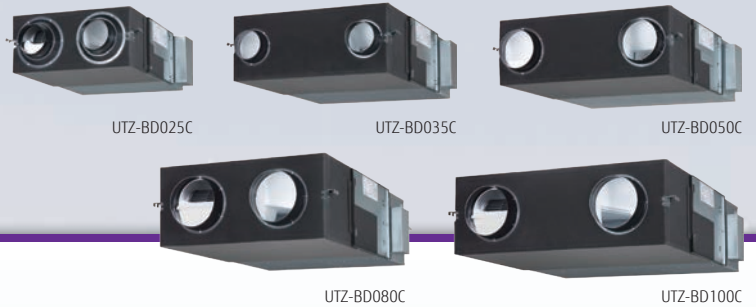


Energy Recovery Ventilator

UTZ-BD025C UTZ-BD080C
 UTZ-BD035C UTZ-BD100C
 UTZ-BD050C



Point

Simple remote operation

- POWER ON/OFF
- Air volume High/Low
- Heat exchange/Normal Ventilation
- ON/OFF Timer
- Clean filter display

Point

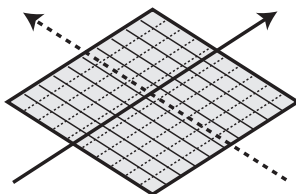
Energy efficiency and ecology

Energy consumption is dramatically reduced by using a counterflow heat-exchange element. Air conditioning load is reduced by approximately 20%, resulting in significant energy savings. Recovers up to 77% of the heat in the outgoing air.

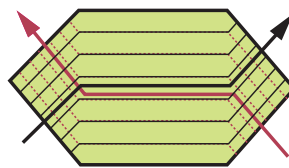
**Energy saving
20%**

Features of heat exchange element

With the cross-flow element, air moves in a straight line across the element. With the counter-flow element, air flows through the element for a longer time (longer distance), so the heat-exchange effect is improved.



Other element
(Cross-flow element)



Fujitsu element
(Counter-flow element)

Point

Slim shape and easier installation

Counter-flow heat exchange element used for reduced noise and slimmer, more compact body shape.



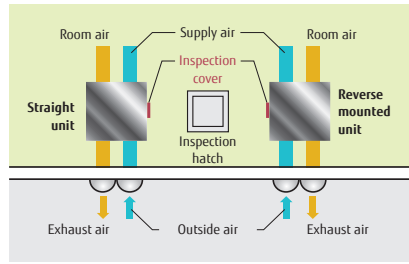
Reverse mountable direct air supply/exhaust system

Adoption of straight air supply / exhaust system:

Duct design is simplified because the air supply / exhaust ducts are straight.

Since each unit can be mounted in reverse position, only one inspection hole is needed for two units:

Two units can share one inspection hole so duct work is easier and more flexible.



Quiet operation

Significantly reducing low pressure loss and noise allows low-noise operation.

25.5 dB

(UTZ-BD035C)

Specifications

| Rated flow rate | | | 250 m ³ /h | 350 m ³ /h | 500 m ³ /h | 800 m ³ /h | 1000 m ³ /h | |
|------------------------------|--------------------------------------|-----------------------|-------------------------|-----------------------|-----------------------|-----------------------|------------------------|--------------------|
| Model No. | | | UTZ-BD025C | UTZ-BD035C | UTZ-BD050C | UTZ-BD080C | UTZ-BD100C | |
| Power source / Suggested MCB | | | 220 - 240V, 50Hz / 6AMP | | | | | |
| Heat Exchange Ventilation | Input power | (Extra high)/High/Low | W | 128 / 123 / 96 | 190 / 185 / 168 | 289 / 225 / 185 | 418 / 378 / 295 | 464 / 432 / 311 |
| | Air flow rate | (Extra high)/High/Low | m ³ /h | 250 / 250 / 190 | 350 / 350 / 240 | 500 / 500 / 440 | 800 / 800 / 630 | 1000 / 1000 / 700 |
| | External static pressure | (Extra high)/High/Low | Pa | 105 / 95 / 45 | 140 / 60 / 45 | 120 / 60 / 35 | 140 / 110 / 55 | 105 / 80 / 75 |
| | Temperature Exchange Efficiency | (Extra high)/High/Low | % | 75 / 75 / 77 | 75 / 75 / 78 | 75 / 75 / 76 | 75 / 75 / 76 | 75 / 75 / 79 |
| | Energy Exchange Efficiency Cooling | (Extra high)/High/Low | % | 63 / 63 / 65 | 66 / 66 / 71 | 62 / 62 / 64 | 65 / 65 / 68 | 65 / 65 / 70 |
| | Energy Exchange Efficiency Heat pump | (Extra high)/High/Low | % | 70 / 70 / 72 | 69 / 69 / 73 | 67 / 67 / 69 | 71 / 71 / 74 | 71 / 71 / 76 |
| | Sound pressure level | (Extra high)/High/Low | dB* | 31.5 / 30.5 / 26.5 | 33 / 31 / 25.5 | 37.5 / 35.5 / 32.5 | 37.5 / 37 / 34.5 | 38.5 / 37.5 / 34.5 |
| Normal Ventilation | Input power | (Extra high)/High/Low | W | 128 / 123 / 96 | 190 / 185 / 168 | 289 / 225 / 185 | 418 / 378 / 295 | 464 / 432 / 311 |
| | Air flow rate | (Extra high)/High/Low | m ³ /h | 250 / 250 / 190 | 350 / 350 / 240 | 500 / 500 / 440 | 800 / 800 / 630 | 1000 / 1000 / 700 |
| | External static pressure | (Extra high)/High/Low | Pa | 105 / 95 / 45 | 140 / 60 / 45 | 120 / 60 / 35 | 140 / 110 / 55 | 105 / 80 / 75 |
| | Sound pressure level | (Extra high)/High/Low | dB* | 31.5 / 30.5 / 26.5 | 33 / 31 / 25.5 | 38.5 / 38 / 32.5 | 37.5 / 37 / 34.5 | 40.5 / 39.5 / 36.5 |
| Dimensions | W×D×H | mm | 882 x 599 x 270 | 1050 x 804 x 317 | 1090 x 904 x 317 | 1322 x 884 x 388 | 1322 x 1134 x 388 | |
| Weight | | kg | 29 | 49 | 57 | 71 | 83 | |
| Outlet duct diameter | | mm | 150 | 150 | 200 | 250 | 250 | |
| Operation range | | °C | -10 to 40 | -10 to 40 | -10 to 40 | -10 to 40 | -10 to 40 | |
| Maximum humidity | | % | 85 | 85 | 85 | 85 | 85 | |

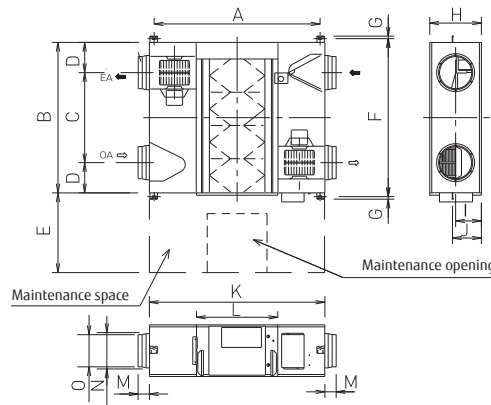
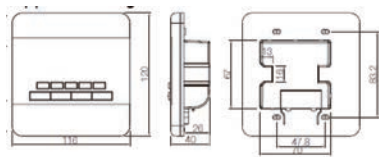
* The noise level is measured 1.5 m below the centre of the unit.

Dimensions

Models:

UTZ-BD025C / UTZ-BD035C / UTZ-BD050C
UTZ-BD080C / UTZ-BD100C

Wired Remote Controller



| | UTZ-BD025C | UTZ-BD035C | UTZ-BD050C | UTZ-BD080C | UTZ-BD100C |
|---|------------|------------|------------|------------|------------|
| A | 810 | 978 | 1018 | 1250 | 1250 |
| B | 599 | 804 | 904 | 884 | 1134 |
| C | 315 | 580 | 640 | 428 | 678 |
| D | 142 | 112 | 132 | 228 | 228 |
| E | 600 | 600 | 600 | 600 | 600 |
| F | 655 | 860 | 960 | 940 | 1190 |
| G | 19 | 19 | 19 | 19 | 19 |
| H | 270 | 317 | 317 | 388 | 388 |
| I | 135 | 159 | 159 | 194 | 194 |
| J | 159 | 182 | 182 | 218 | 218 |
| K | 882 | 1050 | 1090 | 1322 | 1322 |
| L | 414 | 470 | 470 | 612 | 612 |
| M | 95 | 70 | 70 | 85 | 85 |
| N | Ø164 | Ø164 | Ø210 | Ø258 | Ø258 |
| O | Ø144 | Ø144 | Ø194 | Ø242 | Ø242 |

- Specifications and design are subject to change without notice for further improvement.
- "AIRSTAGE" are worldwide trademarks of FUJITSU GENERAL LIMITED and are registered trademarks in Japan and other countries or areas.
- Other company and product names mentioned herein may be registered trademarks, trademarks or trade names of their respective owners.

• Actual products' colours may be different from the colors shown in this printed material.
Distributed by: